

# FLEETRITE®

## FLTACMT9260 *RAPID-PRO-V*™ For Heavy Duty Truck Applications "575 Pieces" "118 P/N's"

- ◆ BOX 1 FLTACMT9660 Compressor Ports & Line Connection O-Rings 48 P/N's
- ◆ BOX 2 FLTACMT9661 Sealing Washers HD Trucks & O-Rings Sprinter Van 35 P/N's
- ◆ BOX 3 FLTACMT9662 Caps, Valve Cores & Service Ports 23 P/N's
- ◆ BOX 4 FLTACMT9663 Orifice Tubes & Orifice Tube Repair Kit 12 P/N's
- ◆ Medium & Heavy Duty Truck Coverage 2018 - 1994!
- ◆ Most Commonly Used A/C Small Parts On Medium - Heavy Duty Trucks!
- ◆ Kit in Kit - Color Code Sections to Organize Components for easy Identification!
- ◆ Section for Sprinter Van 2018 - 2004!
- ◆ Coverage Includes:

Navistar, Mack, Freightliner, Peterbilt, Ford / Sterling  
GM / Volvo, Sprinter Van, Dodge, Freightliner, Mercedes



### FLTACMT9660 Most Popular O-Rings 48 P/N's - 306 Pieces

COMPRESSOR PORTS				STANDARD HOSE			
MT1042 Sucker Pad High Discharge	MT1043 Sucker Pad High Section	MT1044 Sucker Pad High DK315 Discharge	MT1045 Sucker Pad High DK315 Section	MT1046 Sucker Pad High Section	MT1047 Sucker Pad High Section	MT1048 Sucker Pad High Section	MT1049 Sucker Pad High Section
MT1050 O-Ring 100% Discharge	MT1051 O-Ring 100% Section	MT1052 O-Ring 100% Discharge & Section	MT1053 O-Ring 100% Discharge & Section	MT1054 O-Ring 100% Discharge & Section	MT1055 O-Ring 100% Discharge & Section	MT1056 O-Ring 100% Discharge & Section	MT1057 O-Ring 100% Discharge & Section
COMMON USAGE				FORM-FIT ONLY			
MT1058 O-Ring 100% Discharge	MT1059 O-Ring 100% Section	MT1060 O-Ring 100% Discharge & Section	MT1061 O-Ring 100% Discharge & Section	MT1062 O-Ring 100% Discharge & Section	MT1063 O-Ring 100% Discharge & Section	MT1064 O-Ring 100% Discharge & Section	MT1065 O-Ring 100% Discharge & Section
GM CAPTIVE & REAL CAPTIVE				COOPER FLARE SEALS			
MT1066 O-Ring 100% Discharge	MT1067 O-Ring 100% Section	MT1068 O-Ring 100% Discharge & Section	MT1069 O-Ring 100% Discharge & Section	MT1070 O-Ring 100% Discharge & Section	MT1071 O-Ring 100% Discharge & Section	MT1072 O-Ring 100% Discharge & Section	MT1073 O-Ring 100% Discharge & Section
MT1074 O-Ring 100% Discharge	MT1075 O-Ring 100% Section	MT1076 O-Ring 100% Discharge & Section	MT1077 O-Ring 100% Discharge & Section	MT1078 O-Ring 100% Discharge & Section	MT1079 O-Ring 100% Discharge & Section	MT1080 O-Ring 100% Discharge & Section	MT1081 O-Ring 100% Discharge & Section

### FLTACMT9661 Sealing Washers & O-Rings 35 P/N's - 150 Pieces

SPRINTER VAN 2018 - 2004				GM SEALING WASHERS			
MT1082 Seal Liquid Line	MT1083 Seal Liquid Line	MT1084 Seal Liquid Line	MT1085 Seal Liquid Line	MT1086 Seal Liquid Line	MT1087 Seal Liquid Line	MT1088 Seal Liquid Line	MT1089 Seal Liquid Line
MT1090 Seal Liquid Line	MT1091 Seal Liquid Line	MT1092 Seal Liquid Line	MT1093 Seal Liquid Line	MT1094 Seal Liquid Line	MT1095 Seal Liquid Line	MT1096 Seal Liquid Line	MT1097 Seal Liquid Line
COMPRESSOR SEALING WASHERS				SEALING WASHERS			
MT1098 Seal Liquid Line	MT1099 Seal Liquid Line	MT1100 Seal Liquid Line	MT1101 Seal Liquid Line	MT1102 Seal Liquid Line	MT1103 Seal Liquid Line	MT1104 Seal Liquid Line	MT1105 Seal Liquid Line
LINE CONNECTION SEALS				SEALING WASHERS			
MT1106 Seal Liquid Line	MT1107 Seal Liquid Line	MT1108 Seal Liquid Line	MT1109 Seal Liquid Line	MT1110 Seal Liquid Line	MT1111 Seal Liquid Line	MT1112 Seal Liquid Line	MT1113 Seal Liquid Line

### FLTACMT9662 Caps, Valve Cores & Service Ports 23 P/N's - 90 Pieces

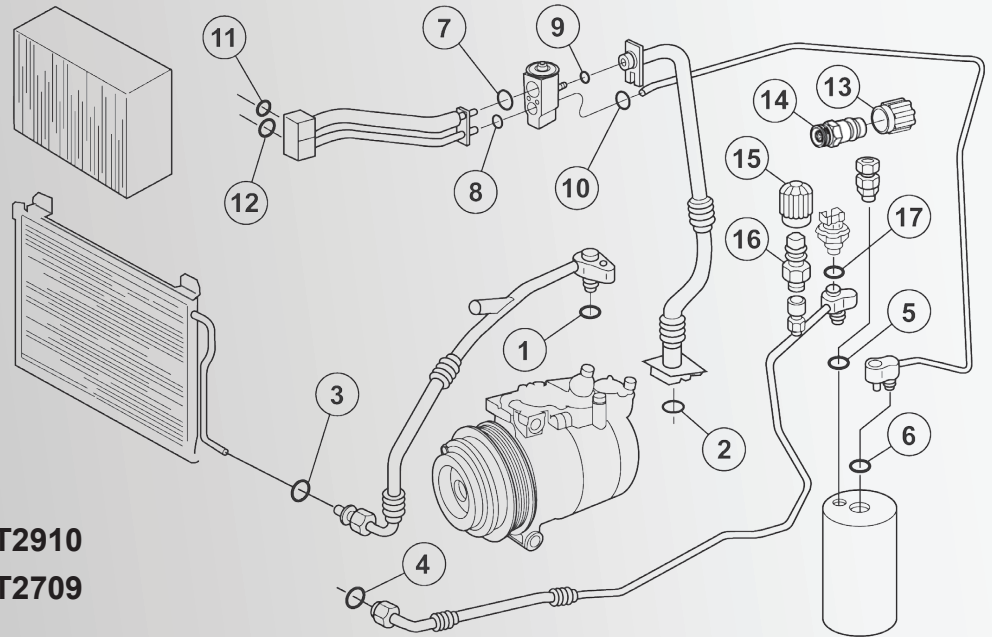
CAPS, VALVE CORES & CHARGE PORTS					
MT1082 Cap Valve Core	MT1083 Cap Valve Core	MT1084 Cap Valve Core	MT1085 Cap Valve Core	MT1086 Cap Valve Core	MT1087 Cap Valve Core
MT1088 Cap Valve Core	MT1089 Cap Valve Core	MT1090 Cap Valve Core	MT1091 Cap Valve Core	MT1092 Cap Valve Core	MT1093 Cap Valve Core
MT1094 Cap Valve Core	MT1095 Cap Valve Core	MT1096 Cap Valve Core	MT1097 Cap Valve Core	MT1098 Cap Valve Core	MT1099 Cap Valve Core
MT1100 Cap Valve Core	MT1101 Cap Valve Core	MT1102 Cap Valve Core	MT1103 Cap Valve Core	MT1104 Cap Valve Core	MT1105 Cap Valve Core
MT1106 Cap Valve Core	MT1107 Cap Valve Core	MT1108 Cap Valve Core	MT1109 Cap Valve Core	MT1110 Cap Valve Core	MT1111 Cap Valve Core

### FLTACMT9663 Orifice Tubes & Repair Kit 12 P/N's - 29 Pieces

ORIFICE TUBES & REPAIR KITS					
MT1097 Orifice Tube	MT1098 Orifice Tube	MT1099 Orifice Tube	MT1100 Orifice Tube	MT1101 Orifice Tube	MT1102 Orifice Tube
MT1103 Orifice Tube	MT1104 Orifice Tube	MT1105 Orifice Tube	MT1106 Orifice Tube	MT1107 Orifice Tube	MT1108 Orifice Tube
MT1109 Orifice Tube	MT1110 Orifice Tube	MT1111 Orifice Tube	MT1112 Orifice Tube	MT1113 Orifice Tube	MT1114 Orifice Tube

# FLEETRITE®

Replacement Parts for Sprinter Van A/C System



Cap & Valve      **FLTACMT2910**  
 Rapid Seal Kit    **FLTACMT2709**

REF#	COMPONENT	LOCATION	OEM	P/N
1	Compressor	Discharge	5098972AA	<b>FLTACMT1474</b>
2	Compressor	Suction	5134027AA	<b>FLTACMT0273</b>
3	Condenser	Discharge	5098972AA	<b>FLTACMT1474</b>
4	Condenser	Liquid	5098972AA	<b>FLTACMT1474</b>
5	Drier	Inlet	5103571AA	<b>FLTACMT0244</b>
6	Drier	Outlet	5103571AA	<b>FLTACMT0244</b>
7	Expansion Valve	Front Suction	5098971AA	<b>FLTACMT1473</b>
8	Expansion Valve	Front Liquid	5098972AA	<b>FLTACMT1474</b>
9	Expansion Valve	Rear Suction	5103930AA	<b>FLTACMT0191</b>
10	Expansion Valve	Rear Liquid	508970AA	<b>FLTACMT1471</b>
11	Evaporator	Suction	5098971AA	<b>FLTACMT1473</b>
12	Evaporator	Liquid	5098972AA	<b>FLTACMT1474</b>
AUXILLARY UNIT	COMPONENT	LOCATION	OEM	P/N
	Auxillary Liquid Line	#8 Standard	N/A	<b>FLTACMT0250</b>
	Suction Line	#10 Standard	N/A	<b>FLTACMT0260</b>
	Auxillary Liquid Line	22mm x 2.4mm	N/A	<b>FLTACMT1702</b>
	Suction Line	24mm x2.6mm	N/A	<b>FLTACMT0303</b>
CAP & VALVES	COMPONENT	LOCATION	OEM	P/N
13	Low-Side Cap		5134029AA	<b>FLTACMT0192</b>
14	Low-Side Valve		5103771AA	<b>FLTACMT0177</b>
15	HI-Side Cap		5098958AA	<b>FLTACMT0193</b>
16	HI-Side Valve		5098396AA	<b>FLTACMT0178</b>
-	Valve Core		N/A	<b>FLTACMT1544</b>
17	Switch Ports		5138898	<b>FLTACMT0228</b>

# FLEETRITE®

## Heavy Duty - OEM Specification Chart

OEM	SIZE	TYPE INCH	I.D. MM	I.D. INCH	O.D. MM	O.D. INCH	THICK MM	THICK	PART #
ABP/N83-312076	#6	Slimline - (Black)	0.321	8.160	0.562	14.280	0.071	1.800	FLTACMT1587
ABP/N83-312060	#8	Slimline - (Black)	0.446	11.340	0.680	17.290	0.072	1.830	FLTACMT1588
ABP/N83-312092	#10	Slimline - (Black)	0.546	13.860	0.786	19.970	0.071	1.800	FLTACMT1589
ABP/N83-312366	#6	Stat-O-Seal (Black)	0.320	8.140	0.633	16.070	0.075	1.900	FLTACMT1425
ABP/N83-312368	#8	Stat-O-Seal (Red)	0.438	11.150	0.749	19.020	0.075	1.900	FLTACMT1426
ABP/N83-312200	#10 (Evap)	Stat-O-Seal (Black)	0.556	14.140	0.933	23.700	0.078	2.000	FLTACMT1427
ABP/N83-312372	#12 (Compr)	Stat-O-Seal (Red)	0.604	15.350	1.100	28.110	0.075	1.900	FLTACMT1429
23-13201-000	#6	Stat-O-Seal (Red)	0.322	8.170	0.628	15.950	0.075	1.900	FLTACMT1425
23-13202-000	#8	Stat-O-Seal (Red)	0.442	11.230	0.751	19.070	0.078	1.980	FLTACMT1426
23-13203-000	#10	Stat-O-Seal (Red)	0.554	14.080	0.931	23.640	0.075	1.900	FLTACMT1427
23-13204-000	#12 (Evap)	Stat-O-Seal (Red)	0.676	17.170	0.994	25.250	0.078	1.980	FLTACMT1428
23-13205-000	#12 (Compr)	Stat-O-Seal (Red)	0.606	15.380	1.100	28.110	0.075	1.900	FLTACMT1429
ABP/N83-312056	#6	O-Ring	0.298	7.620			0.072	1.830	FLTACMT0237
ABP/N83-312046	Press Valve	O-Ring	0.176	4.470			0.070	1.780	FLTACMT0228
ABP/N83-312048	#8	O-Ring	0.426	10.820			0.070	1.780	FLTACMT0250
ABP/N83-312040	#10	O-Ring	0.551	14.000			0.070	1.780	FLTACMT0258
ABP/N83-312052	#12	O-Ring	0.669	17.000			0.070	1.780	FLTACMT0267

ABP/N83-312125 O-Ring Kit of Above)

### SUPERCEDE PART NUMBERS

PH336565 r/b 23-13201-000	FLTACMT1425
PH556565 r/b 23-13202-000	FLTACMT1426
PH668565 r/b 23-13203-000	FLTACMT1427
PH720565 r/b 23-13204-000	FLTACMT1428
PH637189 r/b 23-13205-000	FLTACMT1429
PH725565 r/b 23-13205-000	FLTACMT1429
PH551871 r/b ABP/N83-312060	FLTACMT1588
PH331871 r/b ABP/N83-312076	FLTACMT1587
PH660871 r/b ABP/N83-312092	FLTACMT1589
PH336450 r/b 23-13201-000	FLTACMT1425
PH668450 r/b 23-13203-000	FLTACMT1427
PH556450 r/b 23-13202-000	FLTACMT1426
PH958055-02 r/b 23-13205-000	FLTACMT1429
ABP/N83-312361 r/b ABP/N83-312200	FLTACMT1427

### SPRINTER VAN

OEM	Size	Type	I.D. in	I.D. mm	O.D. in	O.D. mm	Thick in	Thick mm	Part #
5138898AA	#4	O-Ring - 5mm	0.176	4.470	0.318	8.030	0.070	1.780	FLTACMT0228
5143176AA	#5	O-Ring - 7mm	0.276	7.010	0.450	11.430	0.087	2.210	FLTACMT0235
5098970AA	#5	O-Ring - 7mm	0.290	7.370	0.446	11.330	0.078	1.780	FLTACMT1471
5103571AA	#6	O-Ring - 9mm	0.364	9.250	0.554	14.070	0.095	2.410	FLTACMT0244
5098971AA	#8	O-Ring - 10mm	0.414	10.520	0.570	14.480	0.078	1.980	FLTACMT1473
NA	#8	O-Ring - 11mm	0.426	10.820	0.556	14.380	0.070	1.780	FLTACMT0250
5098972AA	#10	O-Ring - 13mm	0.545	13.840	0.701	17.810	0.078	1.980	FLTACMT1474
NA	#10	O-Ring - 14mm	0.549	13.940	0.755	19.180	0.103	2.620	FLTACMT0260
5189919AA	#10	O-Ring - 14mm	0.551	14.000	0.709	18.010	0.079	2.010	FLTACMT0199
5103930AA	#12	O-Ring - 17mm	0.669	16.990	0.827	21.010	0.079	2.010	FLTACMT0191
5189922AA	#12	O-Ring - 17mm	0.669	16.990	0.827	21.010	0.079	2.010	FLTACMT0191
5138896AA	#12	O-Ring - 17mm	0.676	17.170	0.816	20.730	0.070	1.780	FLTACMT0267
NA	#12	O-Ring - 22mm	0.682	17.320	0.870	22.100	0.094	2.390	FLTACMT1702
NA	#12	O-Ring - 24mm	0.924	23.470	1.130	28.700	0.103	2.620	FLTACMT0303
5134027AA	#12	O-Ring - 24mm	0.945	24.000	1.135	28.830	0.095	2.410	FLTACMT0273
5103936AA	#12	O-Ring - 24mm	0.945	24.000	1.135	28.830	0.095	2.410	FLTACMT0273